

DATASHEET

SC Fiber Adapter-Standard



RoHS



OMC INDUSTRY CO.LIMITED

2018|En version1.0

Description

SC Fiber adapter are developed to couple and mate two /Four SC connector plugs. Our range of high-quality SC adapters have high precision alignment sleeves for reliability and improved reconnect ability. For single mode and multimode applications, a ceramic sleeve is supplied. The housing is available in different colors with options for flange or flangeless body, metal clips or inbuilt clips. A protective cap is provided at each end of the adapter with the same color as the adapter

OMC Adapters design, material and manufacturing process assure long life and high repeatability of optical performances even for different brand connectors mating.

Products Materials

Parts name	Material	Color
Housing body	PC/PBT/PEI/Metal	Blue, Green, Beige, Aqua, Magenta or Customized
Sleeve	High precision Ceramic sleeve	White
Inside hook	PBT/PEI	Blue, Green, Beige, Aqua, Magenta or Customized
Metal Plate	Stainless steel	-
Dust Cover	PE/ABS	Black or Customized

Optical Specifications

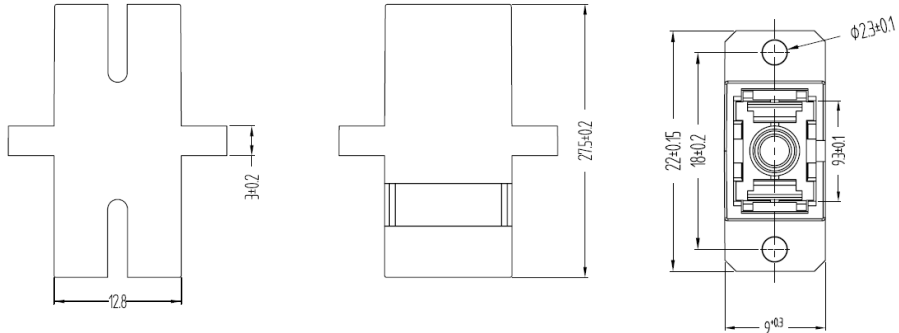
Test item	(SM-9/125) UPC	(SM-9/125) APC	MM PC
Insertion Loss	≤0.2dB	≤0.2dB	≤0.2dB
Return Loss	≥50 dB	≥60 dB	≥35 dB
Durability (500 Mating)	0.1dB Max.		
Withdrawal force (g/f)	2.0N ~ 5.9N (200gf ~ 600gf)		
Storage Temp (°C)	-40 ~ +85		

Available for Simplex of SM UPC, SM APC, MM OM1 62.5/125, MM OM2,OM3,OM4 50/125

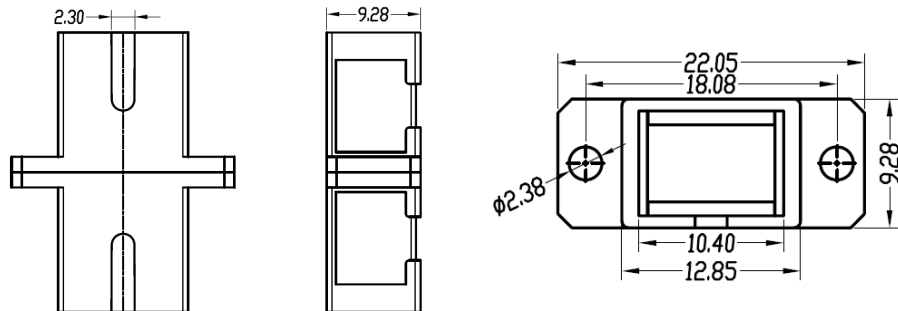
Environment and Mechanical

Properties	Test condition	Conformance	Test result
Vibration	10-55Hz, 1.5mm, 60min	IEC61300-2-1	≤0.2dB
Mating Durability	1000 Mating, clean every 25 mating.	IEC61300-2-2	≤0.2dB
Impact	1.5m, 8 drops	IEC61300-2-6	≤0.2dB
Strength of Coupling Mechanism	40N, 10Min, L=22-28cm	IEC61300-2-12	≤0.2dB
Temperature Cycling	40°C to +75°C, 40 cycles	IEC61300-2-22	≤0.2dB
Temperature humidity cycling	40°C, 95%, 96Hr	IEC61300-2-21	≤0.2dB
Operating Temperature	-40°C to +85°C		≤0.2dB
Storage Temperature	-40°C to +85°C		≤0.2dB

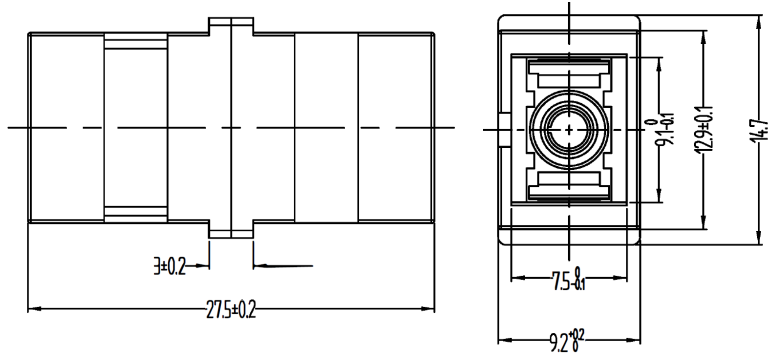
Products Details



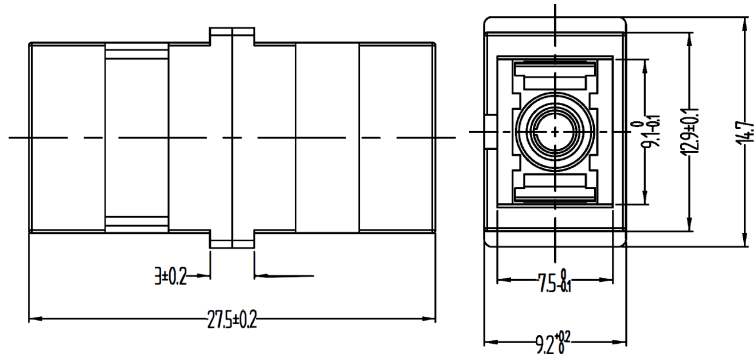
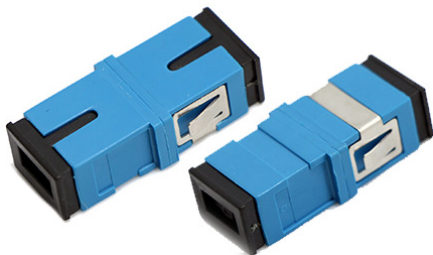
SC Simplex with Full flange
-One piece Welded body



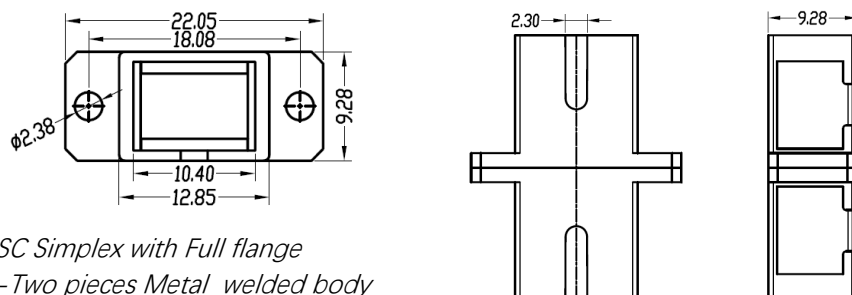
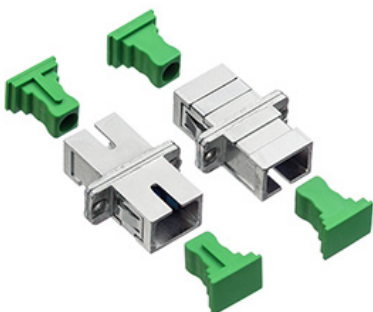
SC Simplex with Full flange
-Two pieces Welded body



SC Simplex with Reduced flange
-One piece Welded body

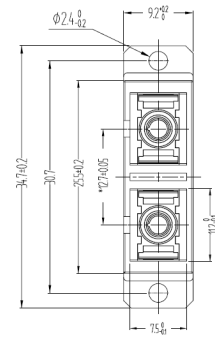
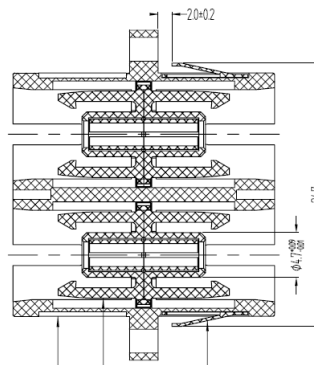
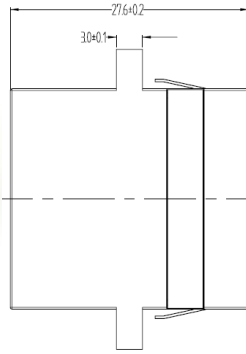


SC Simplex with Reduced flange
-Two pieces Welded body

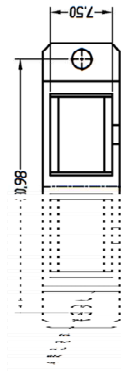
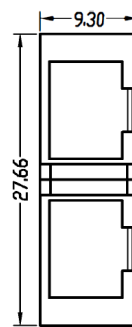
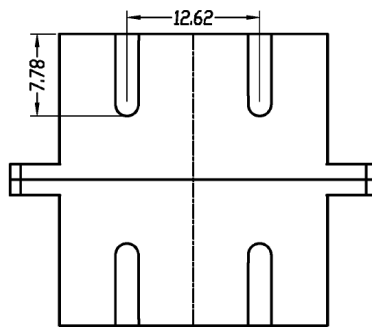


SC Simplex with Full flange
-Two pieces Metal welded body

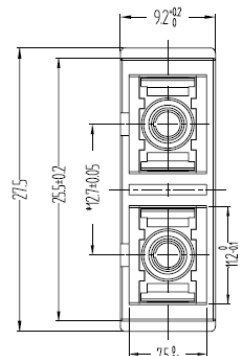
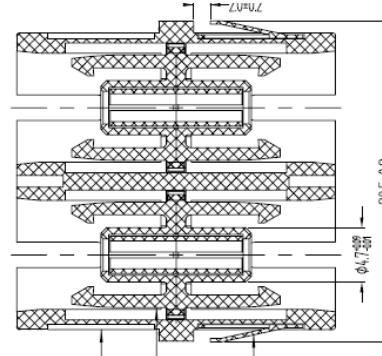
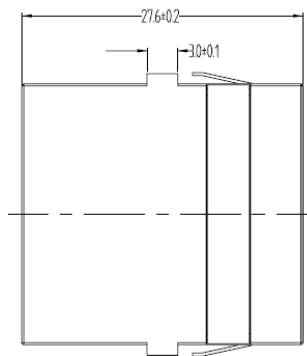
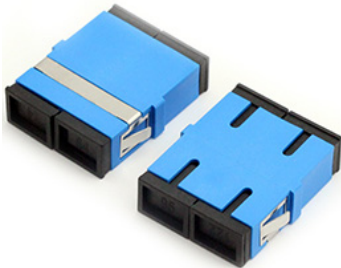
Products Details



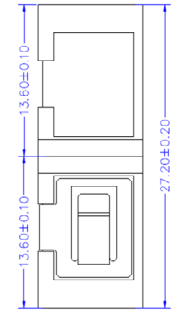
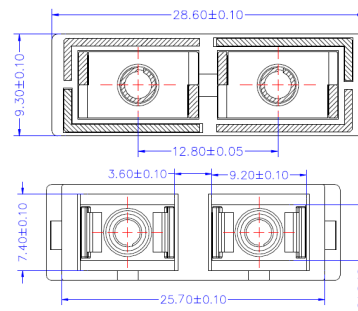
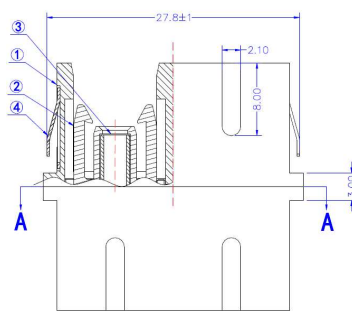
SC Duplex with Full flange
-One piece Welded body



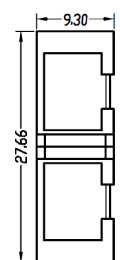
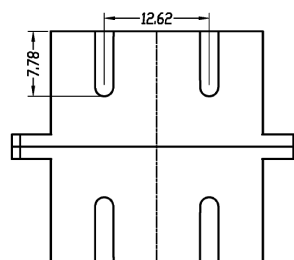
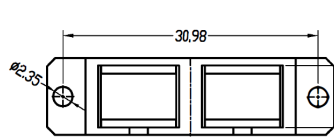
SC Duplex with Full flange
-Two pieces Welded body



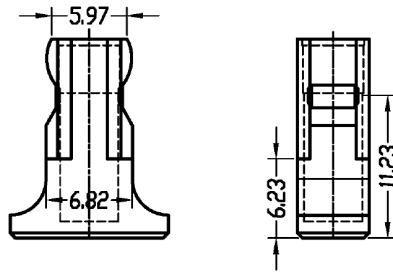
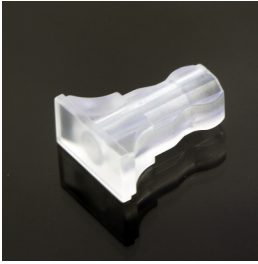
SC Duplex with Reduced flange
-One piece Welded body



SC Duplex with Reduced flange
-Two pieces Welded body



SC Duplex with Full flange
-Two pieces Metal welded body



Transparent Dust cap for SC adapter

Features:

- Complies with IEC 61754-4 standard
- Available in Flanged and Flangeless options
- Push-pull locking mechanism for easy installation
- Precision connection with sleeve
- SM and MM connector can be used interchangeably
- Low insertion loss, High Return loss
- Good interchangeability and reliability
- Meet IEC and ROHS standards
- High precision of mechanical dimensions Accuracy

Application:

Patch panels, ODF and other optical connections.
Optical networks demarcation and monitoring point

Order index

Products	Ports	Fiber Port	Structure	Body Color
H6- Fiber adapter	1-Simplex	2 - SC	A- Simplex with Full flange-Two pieces Welded body Plastic	1-Blue
			B- Simplex with Full flange-One piece Welded body Plastic	2-Beige
	2-Duplex	C- Simplex with Reduced flange-Two pieces Welded body Plastic	3-Green	
		D- Simplex with Reduced flange-One pieces Welded body Plastic	4-Aqua	
	E- Simplex with Full flange-Two pieces welded body Metal	5- Magenta		
	F - Duplex with Full flange-Two pieces Welded body Plastic	6-Metal		
	G - Duplex with Full flange-One piece Welded body Plastic	7- Brown		
	H - Duplex with Reduced flange-Two pieces Welded body Plastic	8- Black		
	I - Duplex with Reduced flange-One pieces Welded body Plastic	9- Yellow		
	J -Duplex with Full flange-Two pieces welded body Metal			