

SPECIFICATION

MINI IP SC WATERPROOF ADAPTER IP67



Description

Mini IP SC Waterproof adapter are developed to couple and mate two Mini IP SC connector plugs. Our range of high-quality SC adapters have high precision alignment sleeves for reliability and improved reconnect ability. For single mode and multimode applications, a ceramic sleeve is supplied. The housing is available in different colors with options for flange or flangeless body, metal clips or inbuilt clips. A protective cap is provided at each end of the adapter with the same color as the adapter

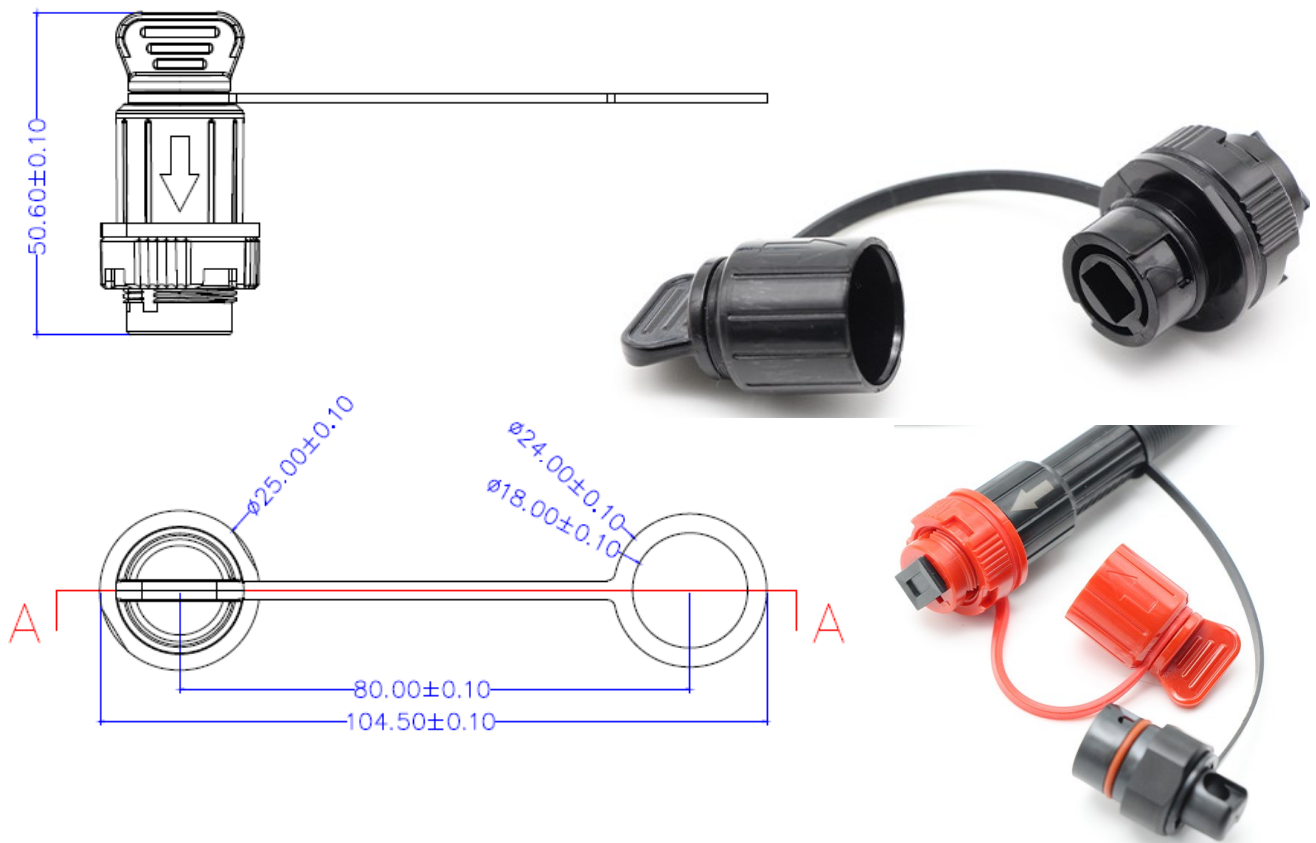
OMC Adapters design, material and manufacturing process assure long life and high repeatability of optical performances even for different brand connectors mating.

Products Materials

Parts name	Material	Parts name	Material
Adapter body	PC+ABS	Adapter body screw	PBT&PC+ABS
Sleeve	High precision Ceramic sleeve	Sling	Silica gel
Waterproof Dust Cover	PC	Waterproof gasket	Silica gel
Dust Cover	TPV		

Optical Specifications

Test item	(SM-9/125) UPC	(SM-9/125) APC	MM PC
Insertion Loss	$\leq 0.2\text{dB}$	$\leq 0.2\text{dB}$	$\leq 0.2\text{dB}$
Return Loss	$\geq 50\text{ dB}$	$\geq 60\text{ dB}$	$\geq 35\text{ dB}$
UL Rating:	UL 94-V0		
Withdrawal force (g/f)	2.0N ~ 5.9N (200gf ~ 600gf)		
Storage Temp (°C)	-40 ~ +85		
Protection level	IP67 or IP68		



Features:

- Complies with IEC 61754-4 standard
- Available in Flanged and Flangeless options
- Push-pull locking mechanism for easy installation
- Precision connection with sleeve
- SM and MM connector can be used interchangeably
- Low insertion loss, High Return loss
- Good interchangeability and reliability
- Meet IEC and ROHS standards
- High precision of mechanical dimensions Accuracy

Environment and Mechanical Testing

Properties	Test condition	Conformance	Test result
Vibration	Frequency: 10-55Hz, amplitude: 1.5mm, vibrate for 2 hours in the X, Y, and Z directions, and test the insertion loss after each spindle vibration ends	IEC61300-2-1,GR 326	Changes in IL before and after the experiment $\leq 0.2\text{dB}$
Mating Durability	500 Mating, clean every 10 mating.	IEC61300-2-2,GR 326	Changes in IL before and after the experiment $\leq 0.2\text{dB}$
Impact	1.5m, 8 drops	IEC61300-2-6,GR 326	Changes in IL before and after the experiment $\leq 0.2\text{dB}$
Strength of Coupling Mechanism	40N, 10Min, L=22-28cm	IEC61300-2-12,GR 326	Changes in IL before and after the experiment $\leq 0.2\text{dB}$
Temperature Cycling	40°C to +75°C, 40 cycles,168hours	IEC61300-2-22,GR 326	Changes in IL before and after the experiment $\leq 0.2\text{dB}$
Temperature humidity cycling	Temperature: -10 °C~+65 °C Humidity: 90% -100% RH Time: 168 hours	IEC61300-2-21,GR 326	Changes in IL before and after the experiment $\leq 0.2\text{dB}$
Bending test	Condition: Load 0.9 kilograms, repeat 100 cycles at 0 °C, 90 °C, 0 °C, -90 °C, and 0 °C	GR 326	\leq Changes in IL before and after the experiment $\leq 0.2\text{dB}$
Insertion and extraction force test	Insert the Connector horizontally at a speed of 10mm/S and test the insertion force	IEC61754	Changes in IL before and after the experiment $\leq 0.2\text{dB}$
Waterproof	The water surface should be at least 0.15 meters above the top of the shell, and the bottom of the shell should be at least 1 meter above the water surface for 8 hours.	IP67	There are no water stains inside before and after the experiment