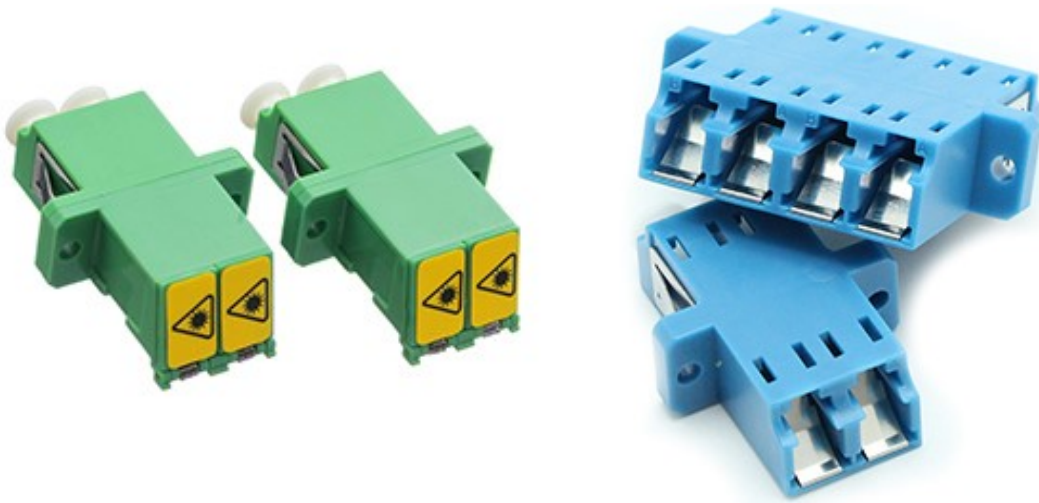


# DATASHEET

## LC Fiber Adapter– Auto Shutter type

---



OMC INDUSTRY CO.LIMITED

2018|En version1.0

## Description

**LC Duplex Adapter with auto Shutter** is equipped with hinged dust cover, also called auto shutter adaptor. It is developed to couple and mate 2/4/8LC connector plugs. Each LC adapter has receptacles on both ends to connect LC patch cords together. It has stainless steel mounting clips allowing it to be easily snapped into rectangular cut outs for duplex SC mount.

Our range of high-quality LC adapters have high precision alignment sleeves for reliability and improved reconnect ability. For single mode and multimode applications, a ceramic sleeve is supplied. The housing is available in different colors with options for flange or flangeless body, metal clips or inbuilt clips.

OMC Adapters design, material and manufacturing process assure long life and high repeatability of optical performances even for different brand connectors mating.

## Products Materials

Parts name	Material	Color
Housing body	PC/PBT/PEI	Blue, Green, Beige, Aqua, Magenta or Customized
Sleeve	High precision Ceramic sleeve	White
Inside hook	PC/PBT/PEI	Blue, Green, Beige, Aqua, Magenta or Customized
Metal Plate	Stainless steel	-
Dust Cover	PE/ABS	Black or Customized

## Optical Specifications

Test item	(SM-9/125) UPC	(SM-9/125) APC	MM PC
Insertion Loss	≤0.2dB	≤0.2dB	≤0.2dB
Return Loss	≥50 dB	≥60 dB	≥35 dB
Durability (500 Mating)	0.1dB Max.		
Withdrawal force (g/f)	2.0N ~ 5.9N (200gf ~ 600gf)		
Storage Temp (°C)	-40 ~ +85		

Available for Simplex of SM UPC, SM APC, MM OM1 62.5/125, MM OM2,OM3,OM4 50/125

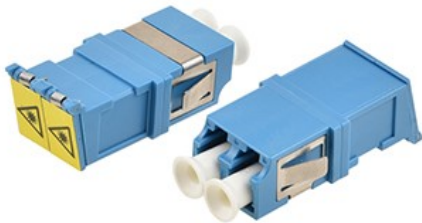
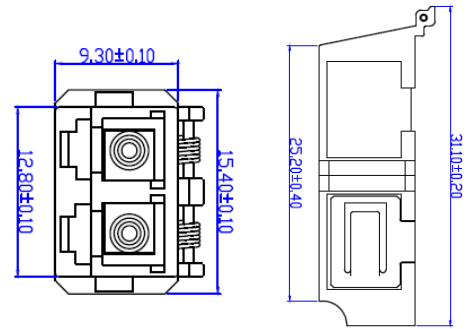
## Environment and Mechanical

Properties	Test condition	Conformance	Test result
Vibration	10-55Hz, 1.5mm, 60min	IEC61300-2-1	≤0.2dB
Mating Durability	1000 Mating, clean every 25 mating.	IEC61300-2-2	≤0.2dB
Impact	1.5m, 8 drops	IEC61300-2-6	≤0.2dB
Strength of Coupling Mechanism	40N, 10Min, L=22-28cm	IEC61300-2-12	≤0.2dB
Temperature Cycling	40°C to +75°C, 40 cycles	IEC61300-2-22	≤0.2dB
Temperature humidity cycling	40°C, 95%, 96Hr	IEC61300-2-21	≤0.2dB
Operating Temperature	-40°C to +85°C		≤0.2dB
Storage Temperature	-40°C to +85°C		≤0.2dB

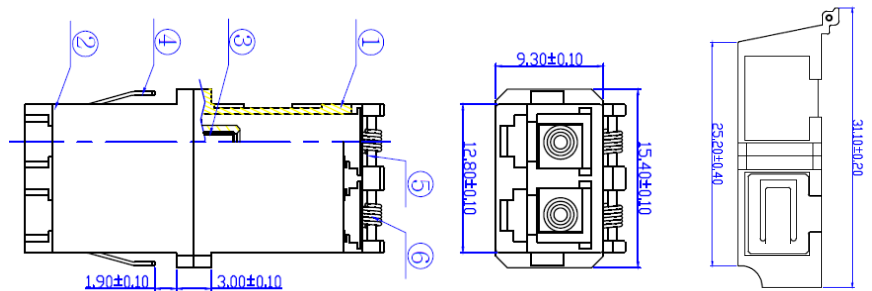
Products Details



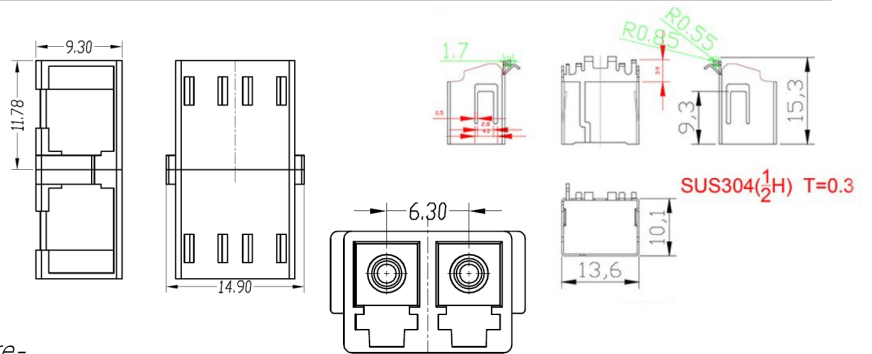
LC Duplex adapter with Two auto shutters  
– Two Pieces welded Full flange



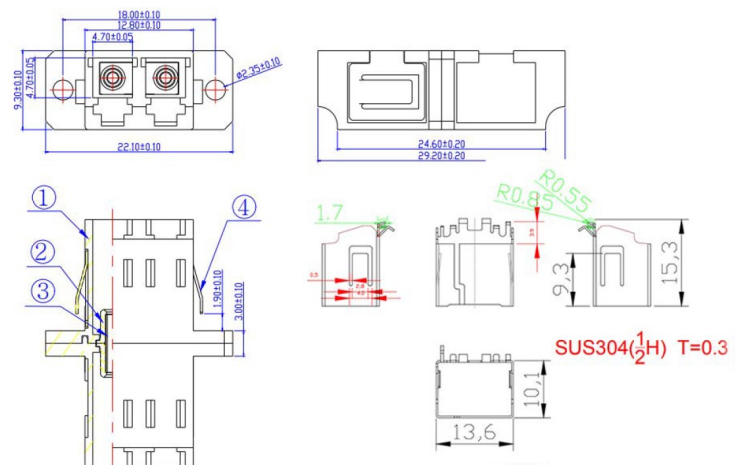
LC Duplex adapter with two auto shutters–  
Two Pieces welded reduced flange



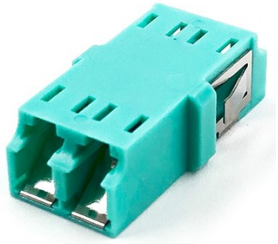
LC Duplex Adapter with Removable Ar-  
mored Outer Shutter – Two Pieces welded re-



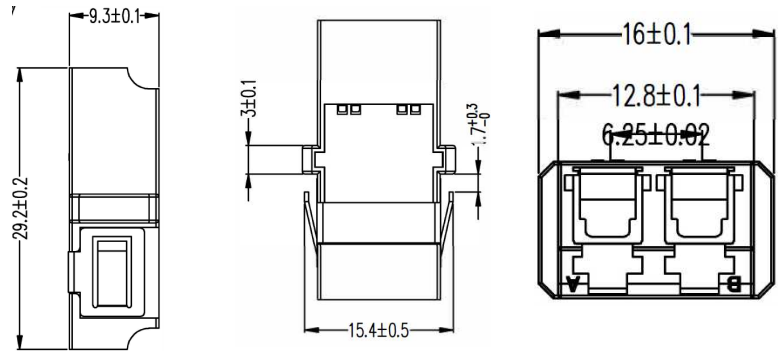
LC Duplex Adapter with Removable Armored  
Outer Shutter – Two Pieces welded full flange



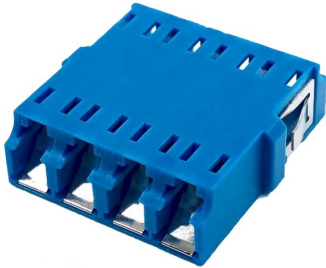
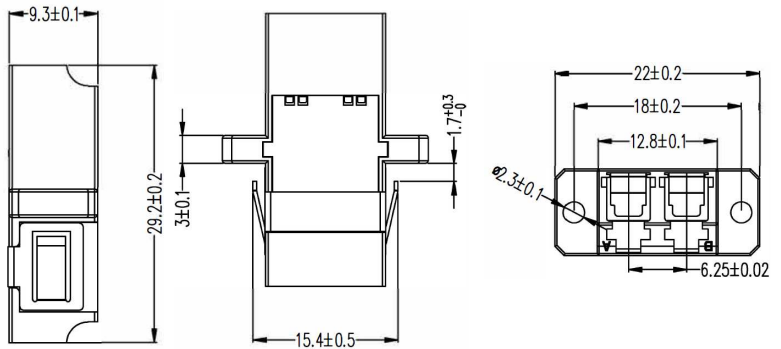
Products Details



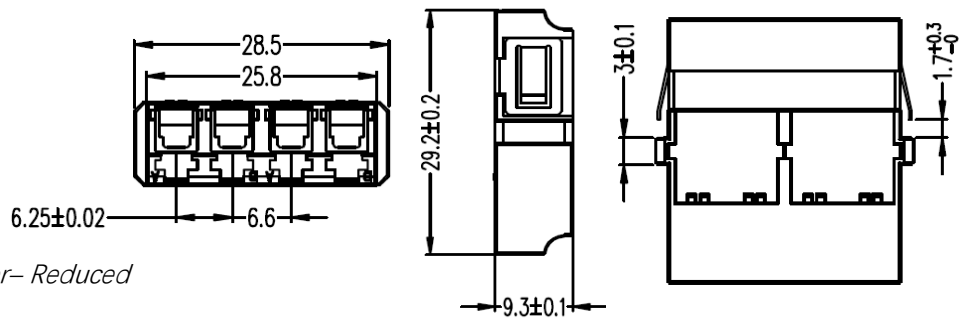
LC Duplex adapter With inner Shutter- Reduced flange One Piece design



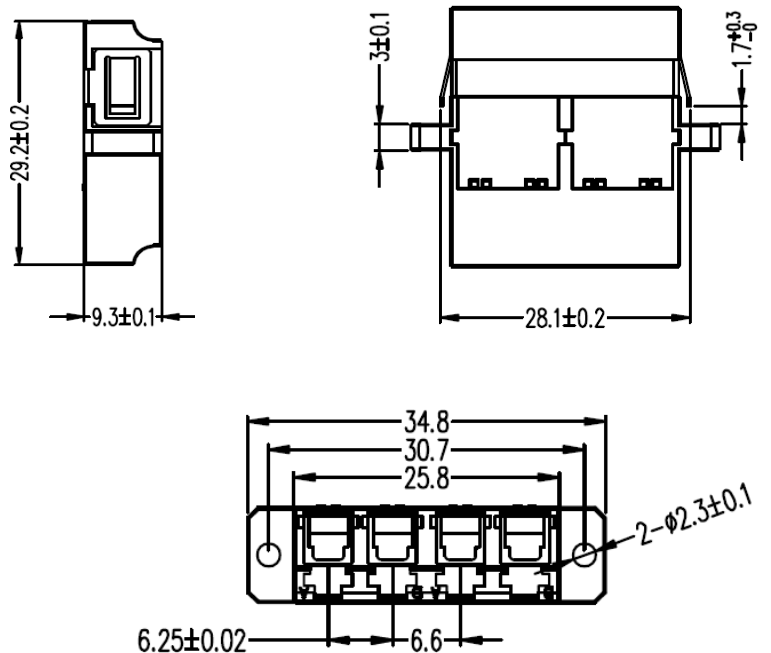
LC Duplex adapter With inner Shutter- Full flange One Piece design



LC Quad adapter With inner Shutter- Reduced flange One Piece design

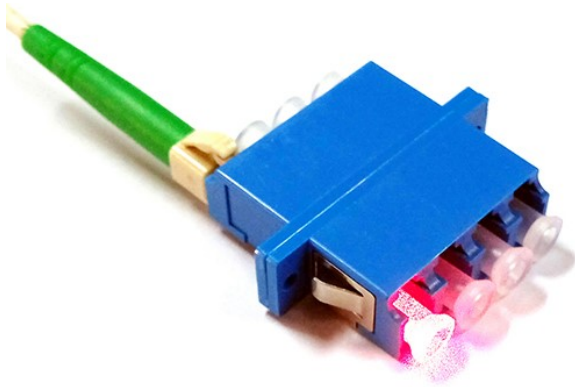


LC Quad adapter With inner Shutter- Full flange One Piece design





## LC Fiber Adapter-Auto Shutter



Transparent Dust cap for LC adapter

### Features:

- TIA/EIA-604 FOCIS-10 compatible; exceeds TIA/EIA-568-B.3 requirements
- Complies with IEC 61754-4, Flammability UL94 V-0 standard
- Available in Flanged and Flangeless options
- Precision connection with sleeve
- SM and MM connector can be used interchangeably
- Low insertion loss, High Return loss
- Good interchangeability and reliability
- Meet IEC and ROHS standards
- High precision of mechanical dimensions Accuracy

### Application:

- Patch panels, ODF and other optical connections.
- Optical networks demarcation and monitoring point

### Order index

Products	Ports	Fiber Port	Structure	Body Color
H7- Auto Shutter	1-Simplex	1 - LC	1-Simplex adapter with Armored auto shutter- two pieces welded full flange	1-Blue
Fiber adapter	2-Duplex	2 - SC	2-Duplex adapter with Armored auto shutter- two pieces welded full flange	2-Beige
	4-Quad		3 - Simplex adapter with Armored auto shutter- two pieces welded Reduce flange	3-Green
			4-Duplex adapter with Armored auto shutter- two pieces welded Reduce flange	4-Aqua
			5-Simplex adapter With inner Shutter- Reduced flange	5- Magenta
			6-Simplex adapter with Downside open auto shutter- One piece welded Reduced flange	6-Metal
			7-Simplex adapter with Downside open auto shutter- Two pieces welded full flange	7- Brown
			8-Simplex adapter with Build-in auto shutter -One piece welded Reduced flange	8- Black
			9-Simplex adapter with Build-in auto shutter -One piece welded Full flange	9- Yellow
			0-Simplex adapter with side open auto shutter- Two Pieces welded Full flange	