

DATASHEET

FC Fiber Adapter



RoHS

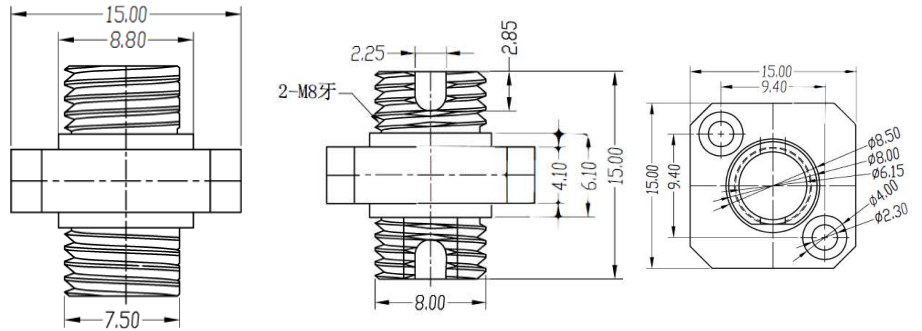


OMC INDUSTRY CO.LIMITED

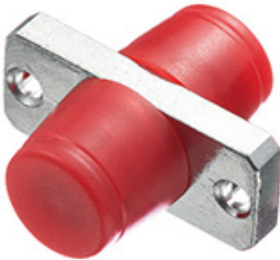
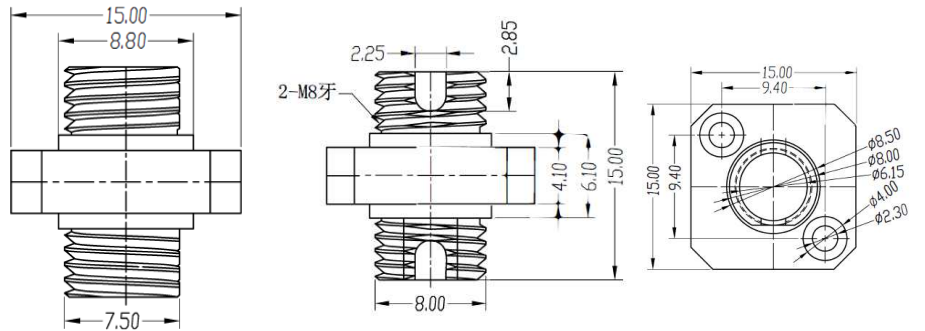
Products Details



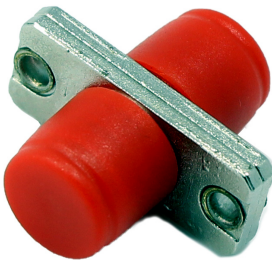
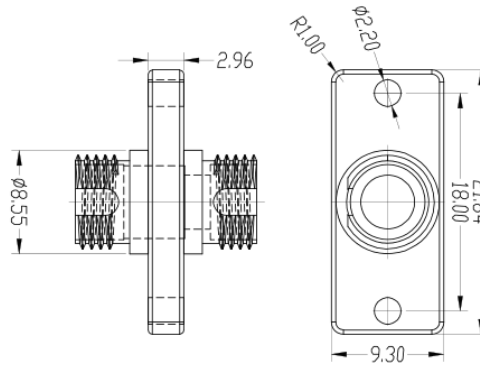
*FC Square mount configurations
fiber adapter-One piece Type*



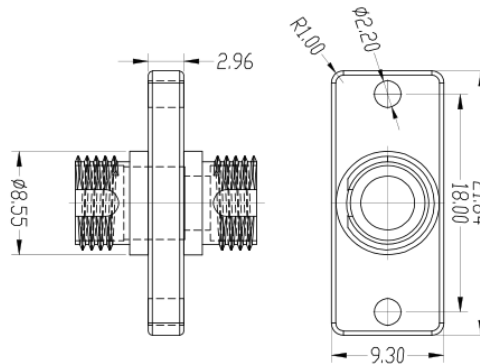
*FC Square mount configurations
fiber adapter-Two pieces type*



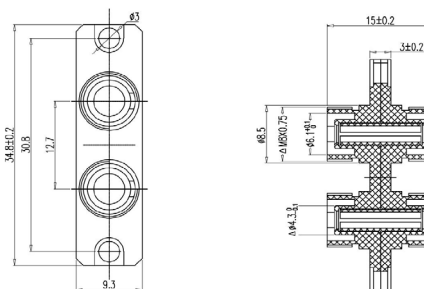
*FC rectangle mount configurations
Simplex Fiber adapter-One Piece type*



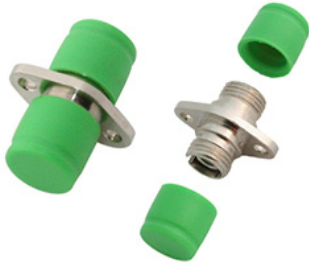
*FC rectangle mount configurations
Simplex Fiber adapter-Two Pieces type*



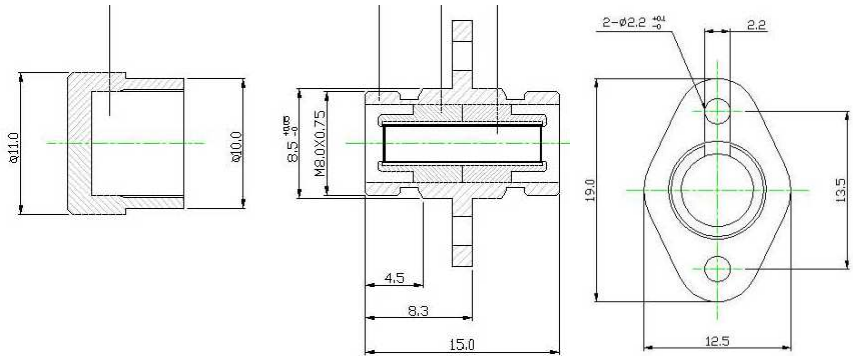
*FC rectangle mount configurations
Duplex Fiber adapter-Two Pieces type*



Products Details



FC Simplex Oval mount configurations
fiber adapter –Simplex



Features:

- NTT-FC compatibility
- Corrosion resistant housing
- Precision connection with sleeve
- SM and MM connector can be used interchangeably
- Low insertion loss, High Return loss
- Good interchangeability and reliability
- Meet IEC and ROHS standards
- High precision of mechanical dimensions Accuracy

Application:

- Patch panels, ODF and other optical connections.
- Optical networks demarcation and monitoring point

Order index

Products	Ports	Fiber Port	Structure	Body Material	Cap Color
H6- Fiber adapter	1-Simplex	3 - FC	1- Small d type	1-Nickel-plated zinc	1- Red
			2- Duplex	2-Nickel-plated brass	2-Green
	3- Square mount configurations –one piece		3-Plastic	3-Black	
	4- Square mount configurations –Two pieces				
	5- Rectangle mount configurations –one piece				
	6- Rectangle mount configurations –Two pieces				
	7- Oval mount configurations –one piece				
	8- Special Size				