

SPECIFICATION

FTTX PRE-CONNECTORIZED TERMINAL BOX PTB-10E



Description

It consists of 10x outlet PORTS, some Splice trays, a tissue system with optical fiber splicing tray and 10pcs bayonet type enhanced pre-connectorized waterproof Mini SCAPC adapters, which can be accessed and connected from the outside of the box.

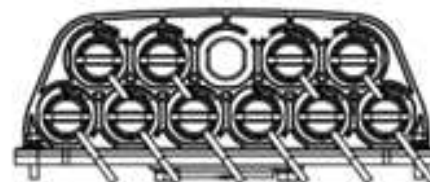
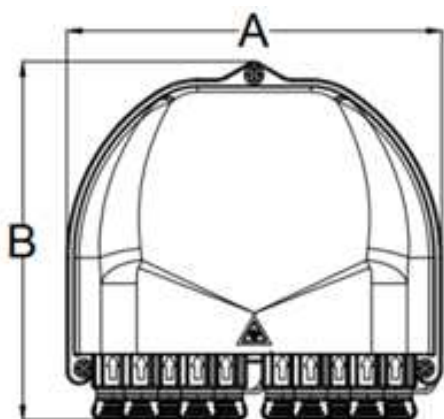
The box is used as a termination point for the feeder cable to connect with drop cable in FTTx network system. The fiber splicing, splitting, and distribution can be done in this box, and to form the optical interconnection point between these networks and the distributed network. It allow the connection to a single optical plug in the customer's home on demand. and meanwhile it provides solid protection and management for the FTTx network building.

The closed box is completely sealed and weatherproof, so it can be installed outside and inside the exterior wall, wall, roof, basement, garage, yard, wardrobe, column or building installed on the messenger.

Specification:

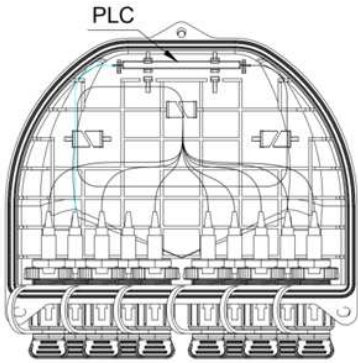


Model No.	PTB-10E	Color	Black
Splice Capacity	4F Splice	Input Cable PORTS	1/2
Material	ABS+PC	Output Adapters	10x Mini SCAPC waterproof adapters<0.2dB
Dimension(A*B*C,)	179*171*66 mm	Suitable Splitter	1:2+1:8 or 1x2:8 or 1x1:9 block-less PLC Splitter
Flame retardant performance	Non-flame retardant	Protection Level	IP65 Indoor/Outdoor
Installation Method	wall mount, pole mount	Insertion loss	≤0.2dB (1310nm & 1550nm)



INSTALLATION INSTRUCTION

1, 1 * 8 PLC Splitter Cable Ways

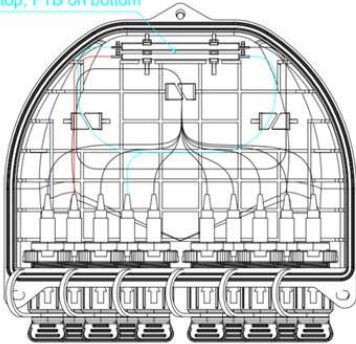


10x Mini SC/APC Waterproof adapter

2, Mini SC/APC Pre-connectorized Patch cord

2, 1 * 2 FTB /PLC + 1 * 8 PLC Splitter Cable Ways

top, FTB on bottom



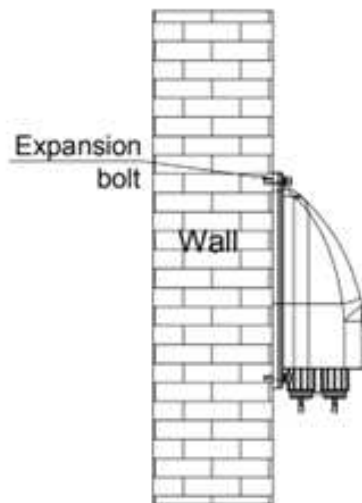
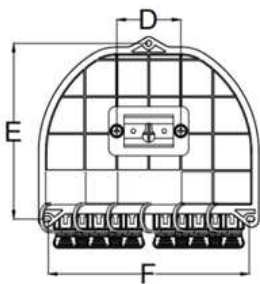
10x Mini SC/APC Waterproof adapter

2, Mini SC/APC Pre-connectorized Patch cord

3. Wall-mounted installation

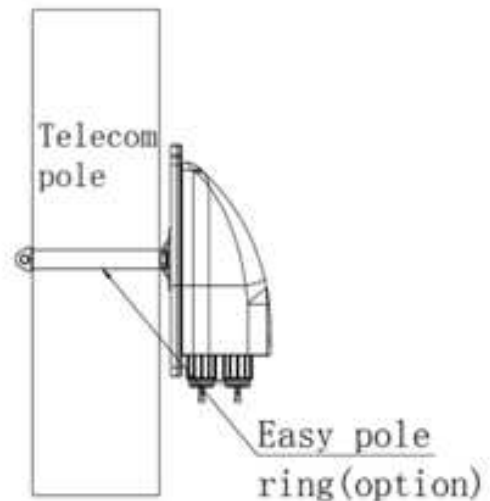
Drill 3 holes into the wall based on the size in table 1, place the expansion bolt $\Phi 7.5 \times 40$, place the box to match up the holes and use bolt to fasten

Installation Size D/E/F 52/142*165mm



4. Pole-mounted installation

Fix 1 set of the pole ring to the telecom pole





10 Ports FTTX Pre-connectorized Terminal Box PTB-10E

Features

1. Plug and play, pre-connected household cable instead of fusion, no need to open the box.
2. Fast insertion can fix and seal the optical cable outside the connector box for quick installation.
3. Clamping for feeder cable and drop cable, fiber splicing, fixation, storage, distribution...etc all in one.
4. Cable, pigtails, and patch cords are running through their own paths without disturbing each other, micro type PLC splitter installation, easy maintenance.
5. Support a variety of installation methods, holding pole, hanging wall, hanging cable.
6. Box can be installed by the way of wall-mounted or poled-mounted, suitable for both indoor and outdoor use.

Specification

1、 Environmental requirement

Working temperature: $-40^{\circ}\text{C} \sim +85^{\circ}\text{C}$

Relative humidity: $\leq 85\%$ ($+30^{\circ}\text{C}$)

Atmospheric pressure: $70\text{KPa} \sim 106\text{Kpa}$

2、 Main technical datasheet:

Insertion loss: $\leq 0.2\text{dB}$

UPC return loss: $\geq 50\text{dB}$

APC return loss: $\geq 60\text{dB}$

3、 Thunder-proof technical datasheet

The insulation resistance between the grounding device and the metal parts of the box is no less than $2 \times 10^4 \text{ M}\Omega/500\text{V}$ (DC) ; $IR \geq 2 \times 10^4 \text{ M}\Omega/500\text{V}$, The voltage resistance between the grounding device, and the box and its metal parts is no less than 3000V (DC) /min, no puncture, no flashover; $U \geq 3000\text{V}$

Standard Accessories:

PTB-10D Box*1

Accessories bag*1

Optional Accessories:

Pole ring*1



Package:

Plastic bag size: $300 \times 350 \text{ mm}$

Inner box with single corrugated size: $215 \times 210 \times 90 \text{ mm}$

Carton with double corrugated size: $450 \times 440 \times 465 \text{ mm}$ (20PCS/Box)

Weight per carton: 14.5KG